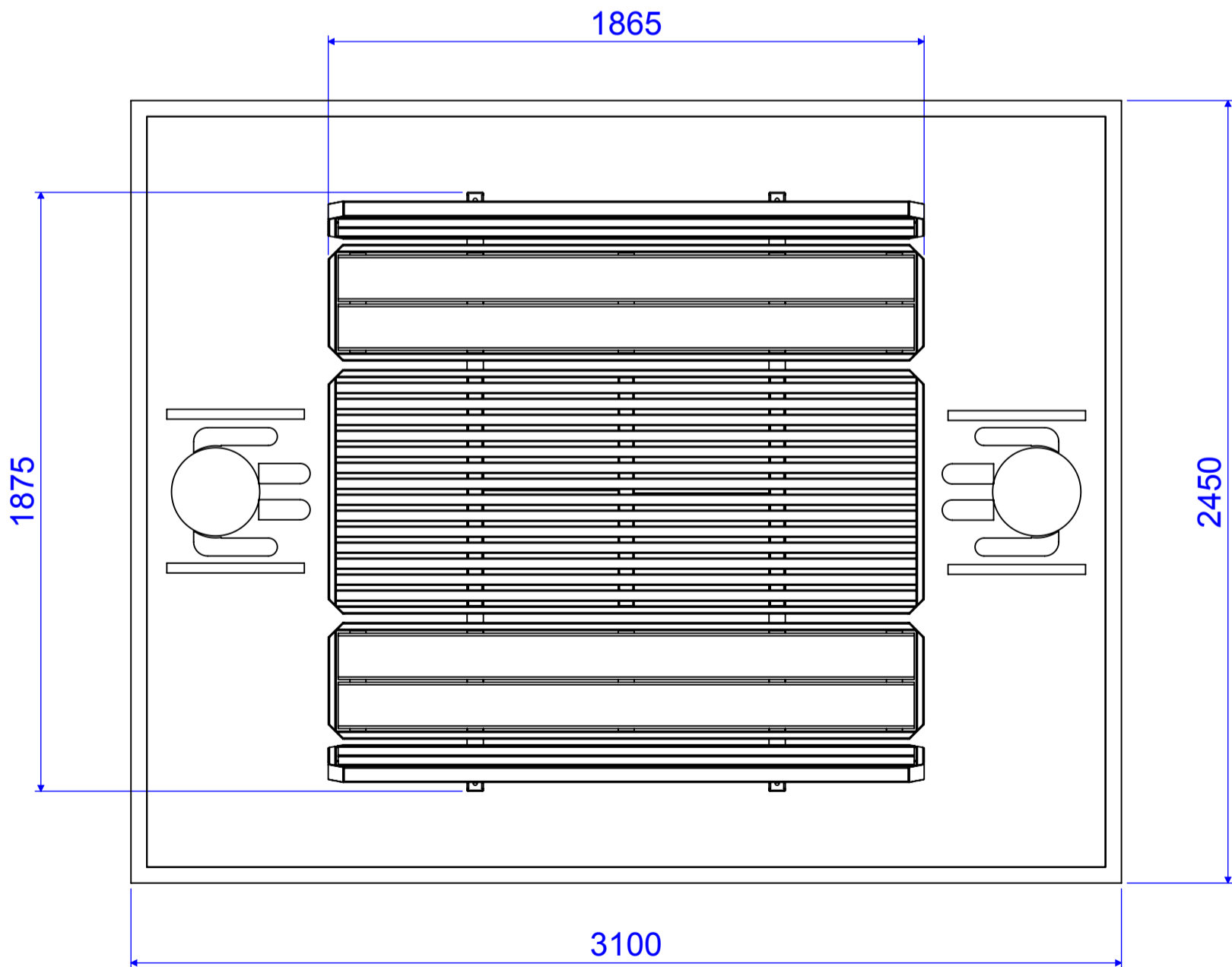
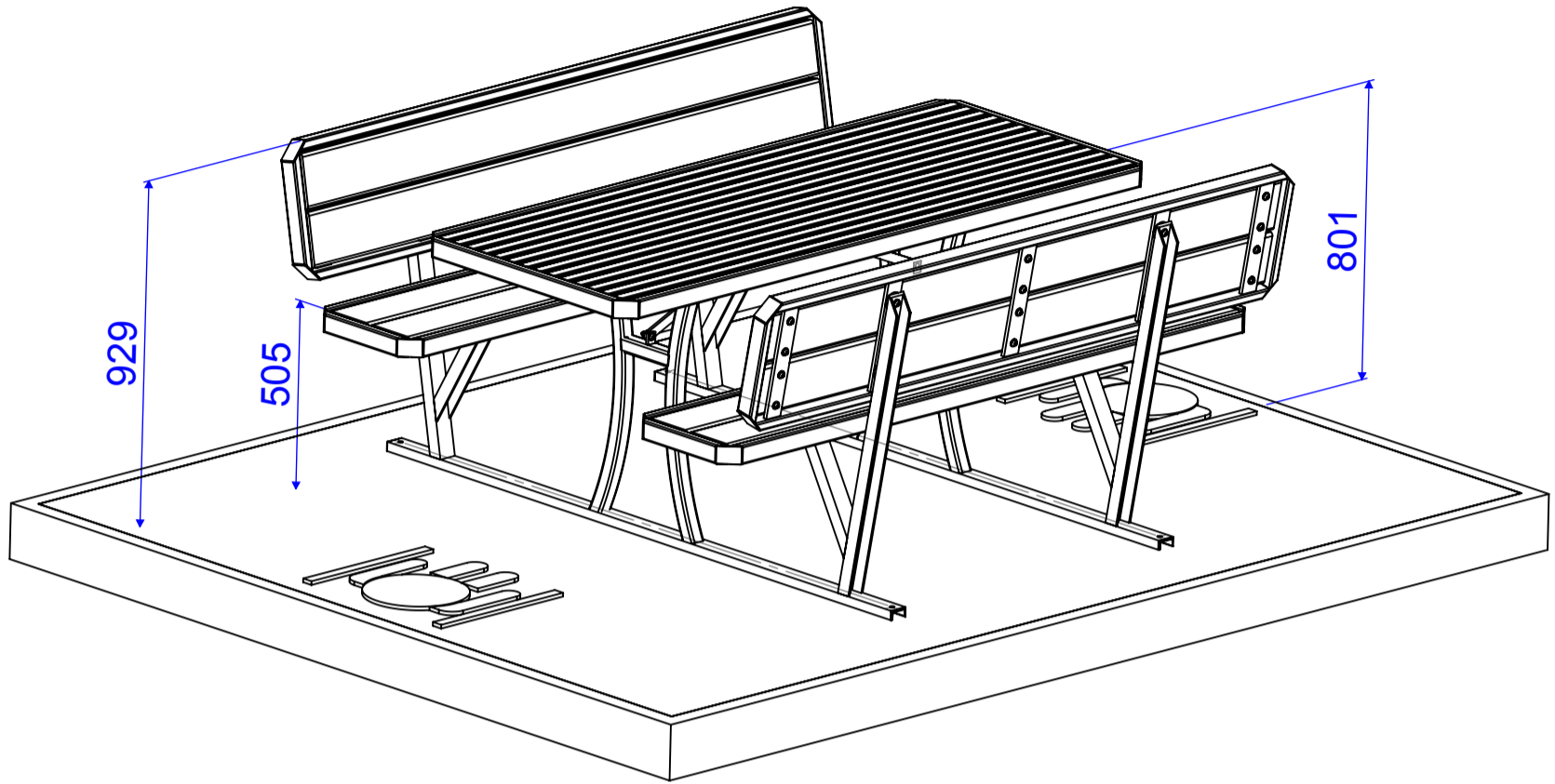


Item	Type	Min Qty.
Surfacing Base (m <sup>3</sup> )	1:2:4 Concrete	0.71
Length of Edging (m)	Flat Top PCC	11.1
Edging Fix (m <sup>3</sup> )	1:2:4 Concrete	0.33

**ESTIMATED QUANTITIES ONLY**



Current Drawing Status Manufacturing Manual	Insert Document 60		GL Jones Playground Ltd Station Road, Bethesda Gwynedd LL57 3NE Tel: 01248 600372 info@gljones-playgrounds.co.uk www.gljones-playgrounds.co.uk	DO NOT SCALE DRAWING	REVISION	00				
This drawing must not be copied or passed on to a third party without the specific permission of G.L. Jones Playgrounds Ltd. This drawing is supplied on the understanding that the installer has the required skills to ensure correct installation - G.L. Jones Playgrounds Ltd can only guarantee installations completed under their direct supervision.			<table border="1"> <tr> <td>LASTSAVE</td> <td>NAME</td> </tr> <tr> <td>DRAWN</td> <td>mike.roberts Mike Roberts</td> </tr> </table>	LASTSAVE	NAME	DRAWN	mike.roberts Mike Roberts	TITLE: Picnic Table Hardwood Seat- Steel Top with Backrest  This Drawing should <b>NOT</b> be used for Installation purposes. For Guidance Only	DWG NO. J017-002 <small>FILE NAME J017-002 - Picnic Table Hardwood Seat-Steel Top with Backrest</small>	A3 ©
LASTSAVE	NAME									
DRAWN	mike.roberts Mike Roberts									